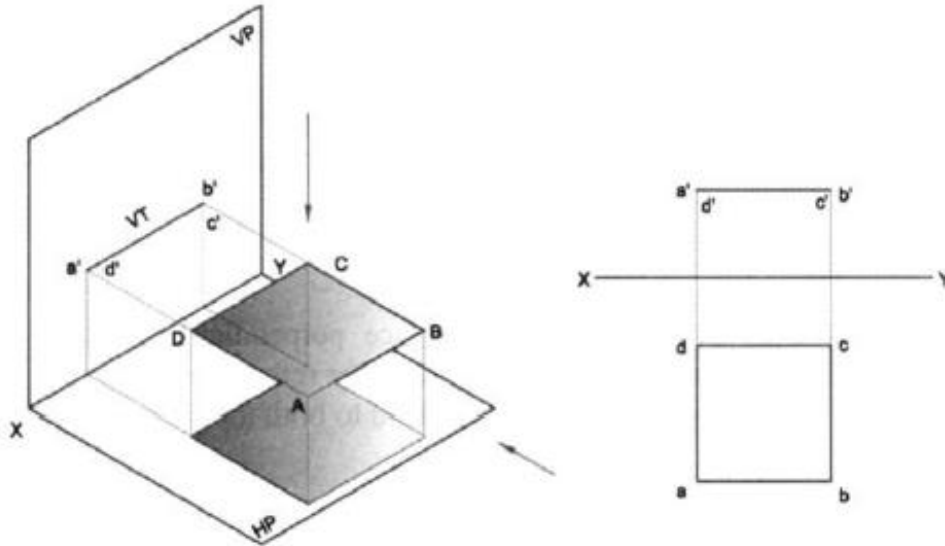
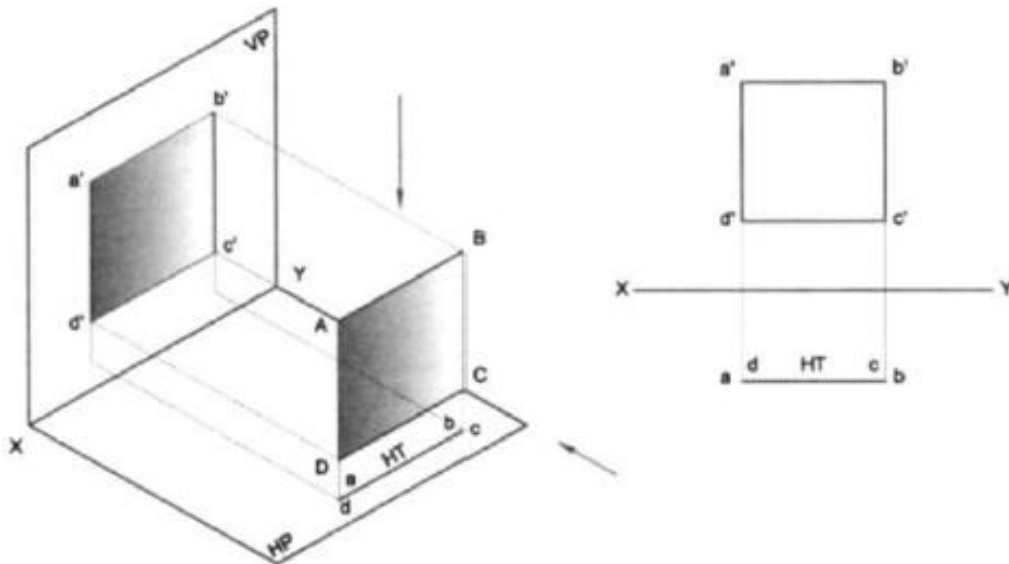


I PROJECTION OF PLANES

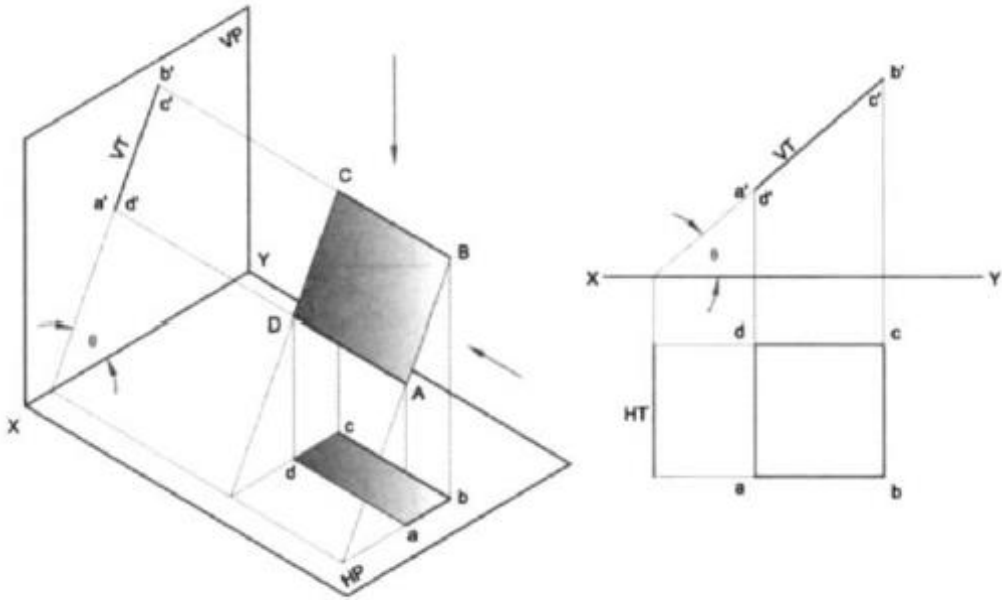
1) Surface of Plane Parallel to the HP (and perpendicular to VP)



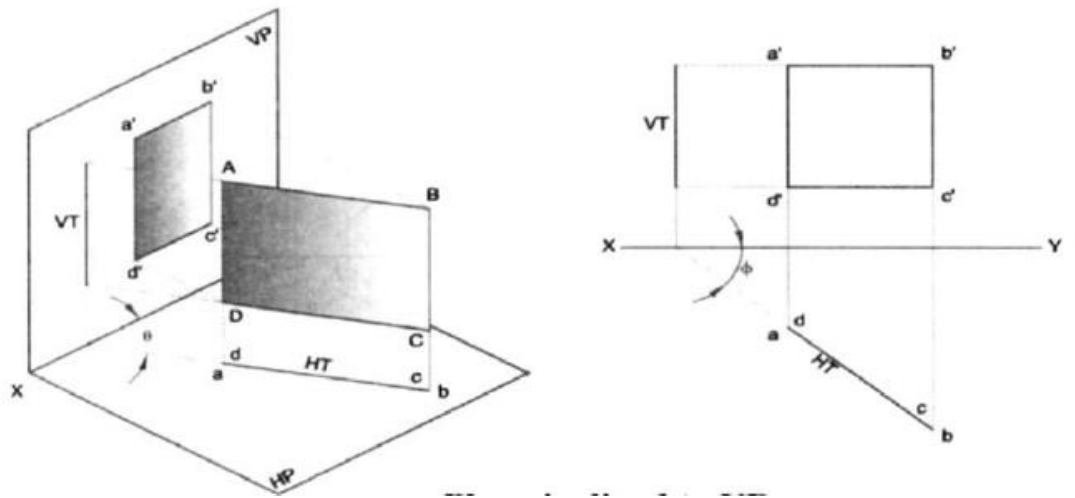
2) Surface of Plane Parallel to the VP (and perpendicular to HP)



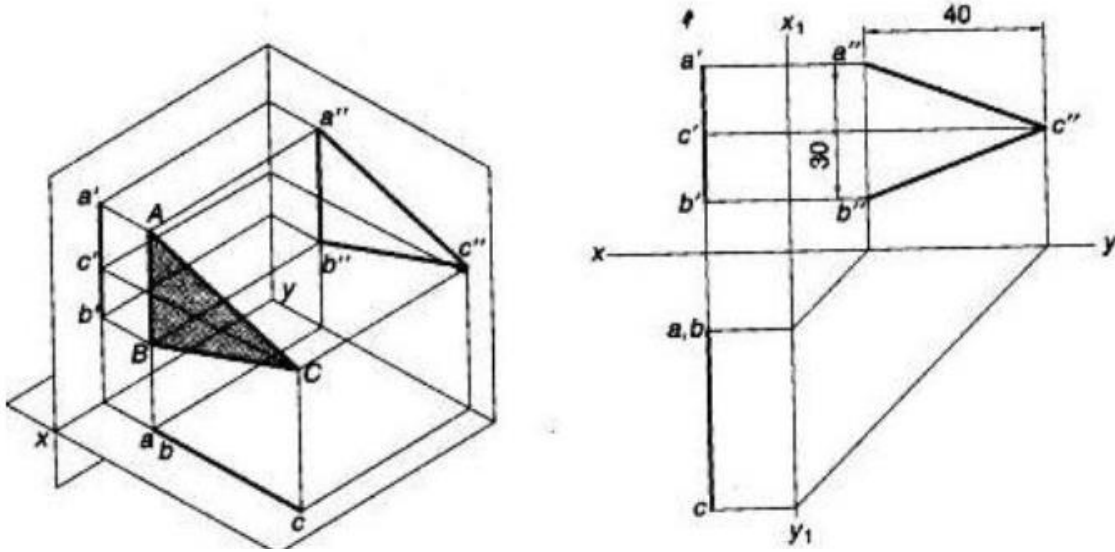
3) Surface of Plane Inclined to the HP and perpendicular to VP



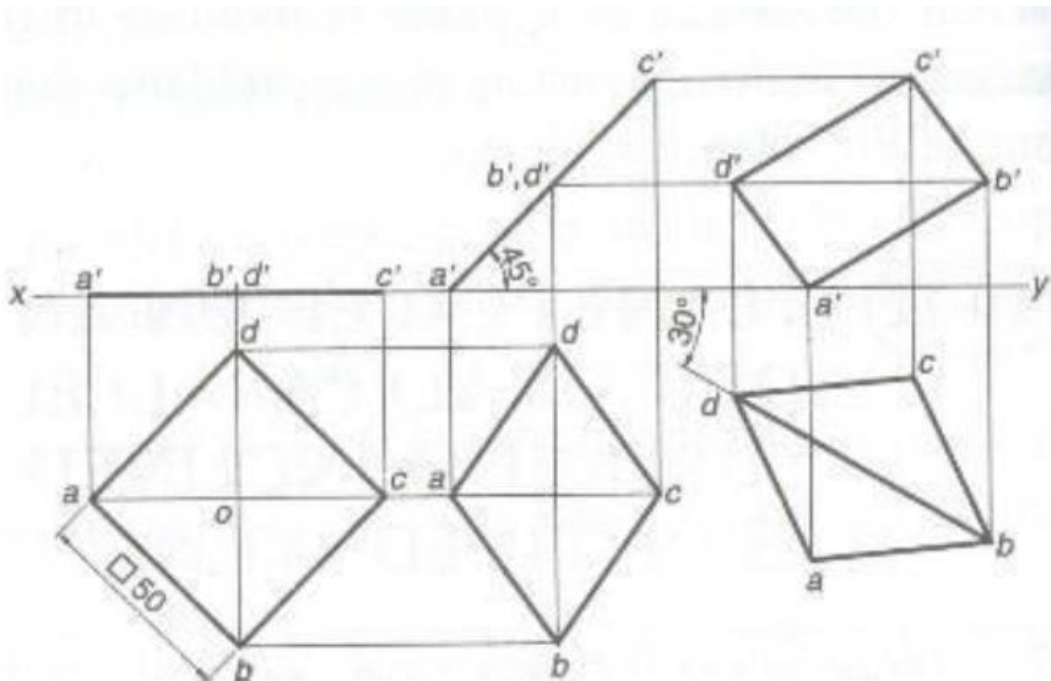
4) Surface of Plane Inclined to the VP and perpendicular to HP



5) Surface of Plane Perpendicular to Both HP and VP



6) Surface of Plane is Inclined to Both HP and VP



Problems:

Plane Parallel to HP

A Square plane with a 40mm side has its surface parallel to and 20mm above the HP. Draw its Projections, when (a) A side is parallel to VP (b) A side is inclined at 30° to VP and (c) All sides are equally inclined to VP.

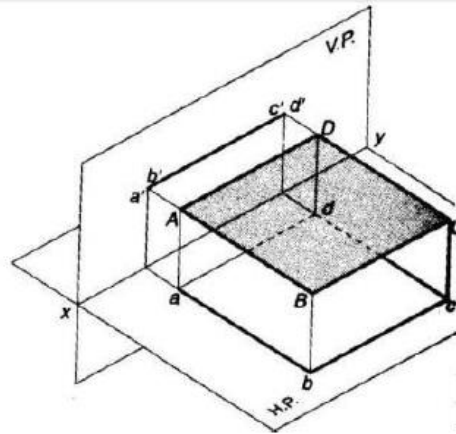


Figure 3.8(a)

Solution:

