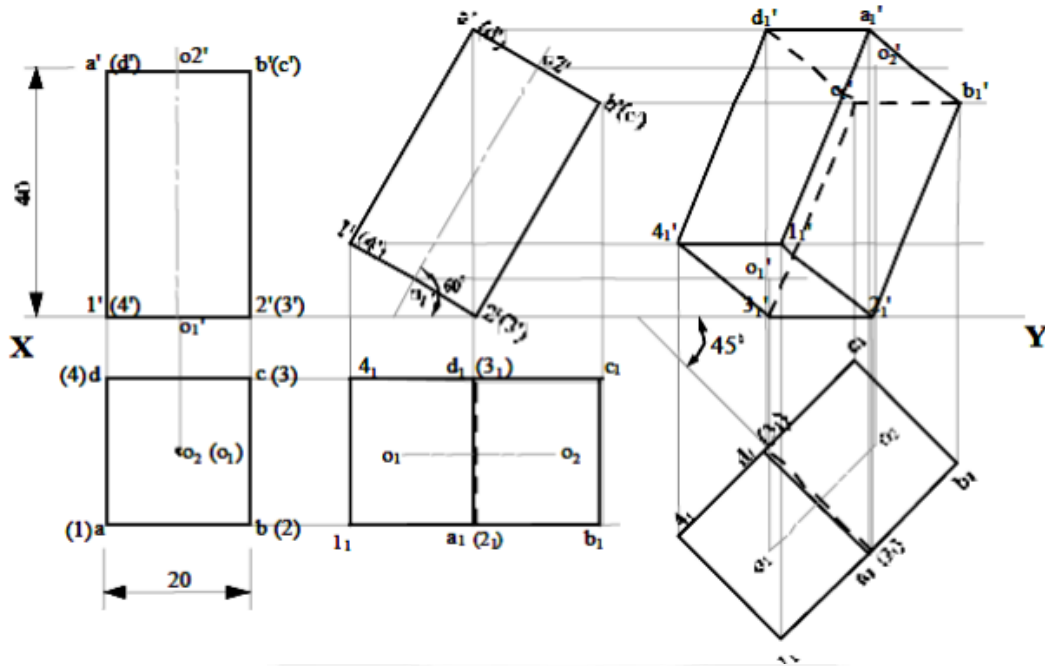


1. A square prism of base 20mm and axis 40mm long has its axis inclined at 60° to the HP and an edge of its base is inclined at 45° to the VP.



OBSERVE OPTIMIZE OUTSPREAD
